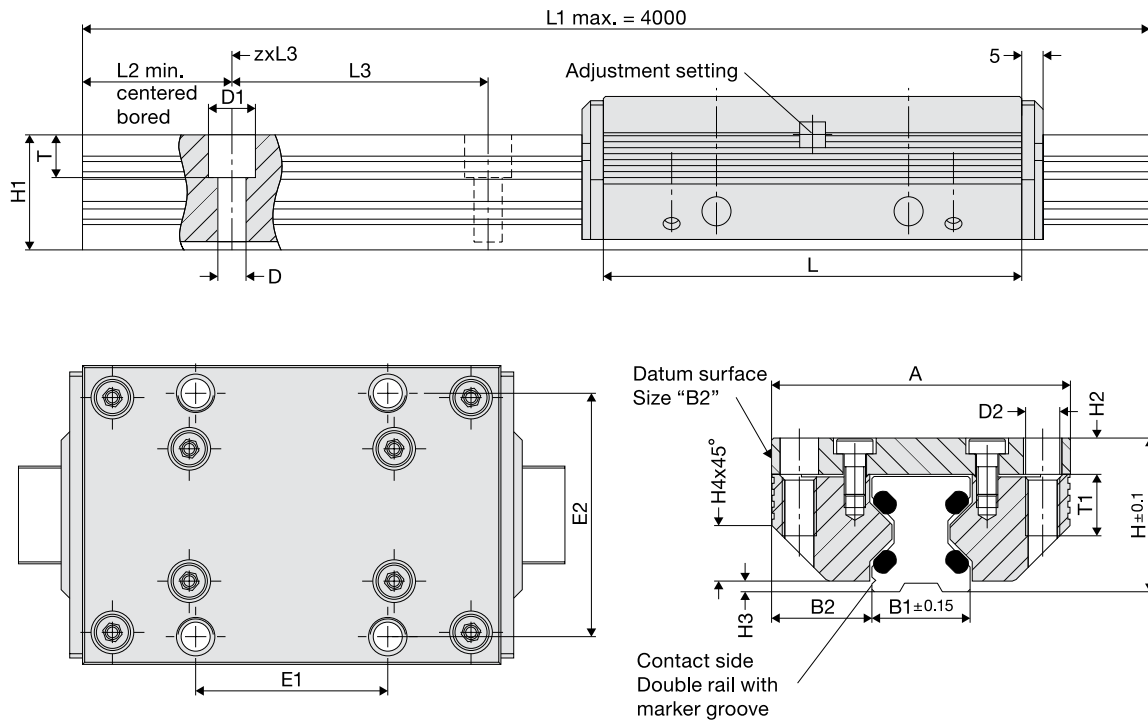


### Cassette + double rail



### Dimensions

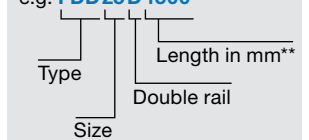
Size	Dimensions																	
	mm																	
	A	L	H	B1	B2	D	D1	D2	E1	E2	H1	H2	H3	H4	L2	L3	T	T1
25	70	98	36	23.0	23.50	6.6	11	M 8	45	57	27.0	8.5	2.5	13.0	10	60	10.0	16

### Load ratings, weight

Size	Load ratings		Moment load ratings* cassette				Weight	
	N		Nm				kg	
	C	Co	Mocx	Mcx	Mocy/Mocz	Mcy/Mcz	Cassette	rail/m
25	1200	1600	25	18	35	25	0.5	1.8

### Order numbers

Order no.	Order key
Cassette	Double rail
<b>84363P</b>	e.g. <b>FDD25D1500</b>

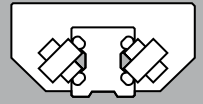


\*There is more information on moment load ratings on page 106/107.

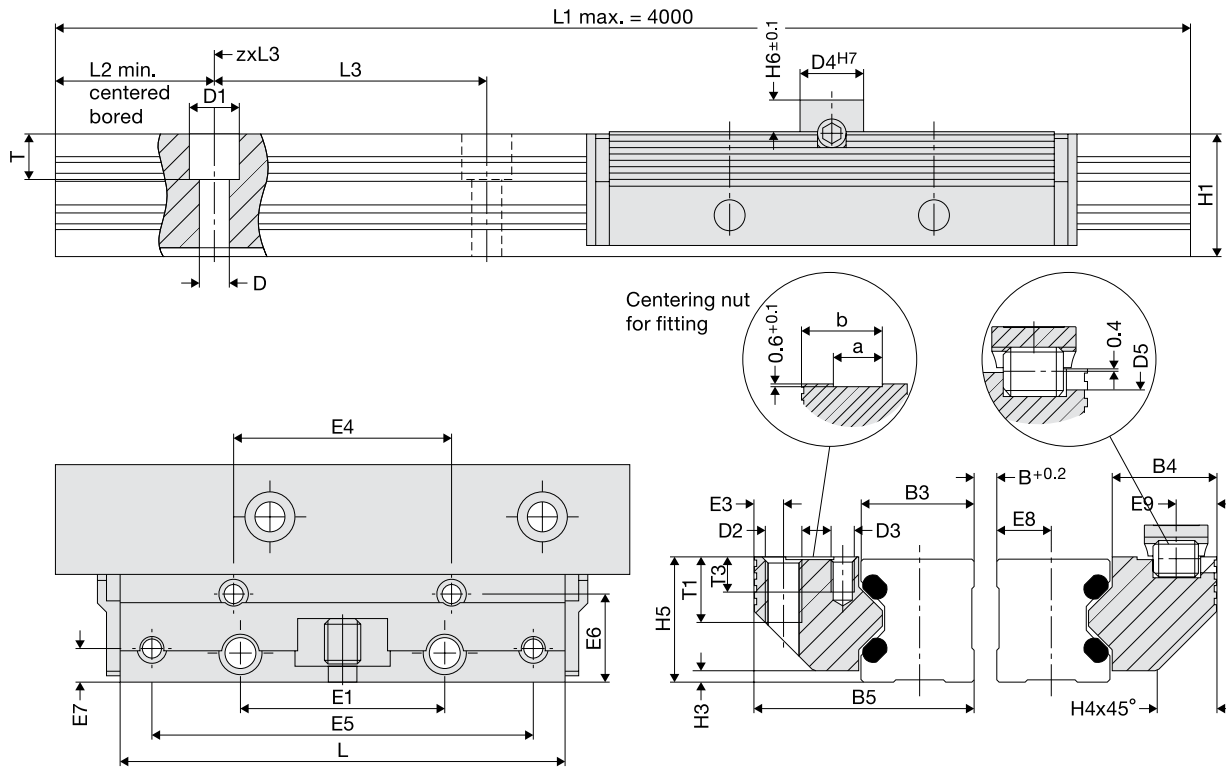
\*\*Guide rails up to 4000 mm on one piece. Longer strokes are coupled.

## Materials

	Body material	Rollers	Wipers
<b>Standard</b>	High-strength, anodized aluminium	Antifriction bearing steel	Plastic plate with felt wiper



## Pair of roller shoes + single rail pairs



## Dimensions

Size	Dimensions																	
	B5	H5	B3	B4	D3	D4	D5	E3	E4	E5	E6	E7	E8	E9	H6	T3	a	b
25	48.4	27.5	25.00	22.9	M5	14	6	6.4	48	84	19.4	7.4	12.0	8.9	7	5.0	10.5	17.5

## Load ratings, weight

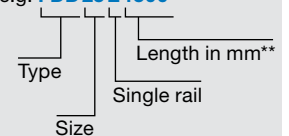
Size	Load ratings		Moment load ratings* RSP				Weight	
	N	Co	Nm		Mcy/Mcz		RSP	kg rail/m
	C	Co	Mocx	Mcx	Mocy/Mocz	Mcy/Mcz		
25	1200	1600	0.8(B+58.4)	0.6(B+58.4)	35	25	0.34	1.9

## Order numbers

Order no.	Order key
RSP	Single rail pair

**84367P**

e.g. **FDD25E1500**



\*There is more information on moment load ratings on page 106/107.

\*\*Guide rails up to 4000 mm on one piece. Longer strokes are coupled.