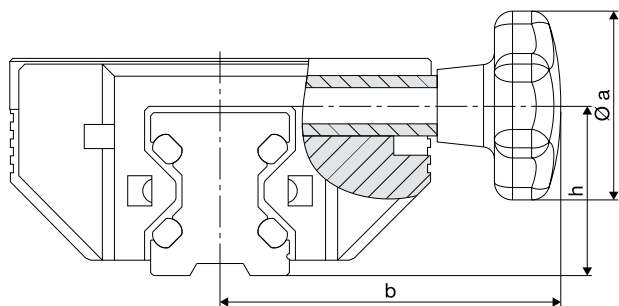


## Clamping

Cassette with star grip or clamping lever for fixing to any position on the guide section. The clamping does not apply any force to the

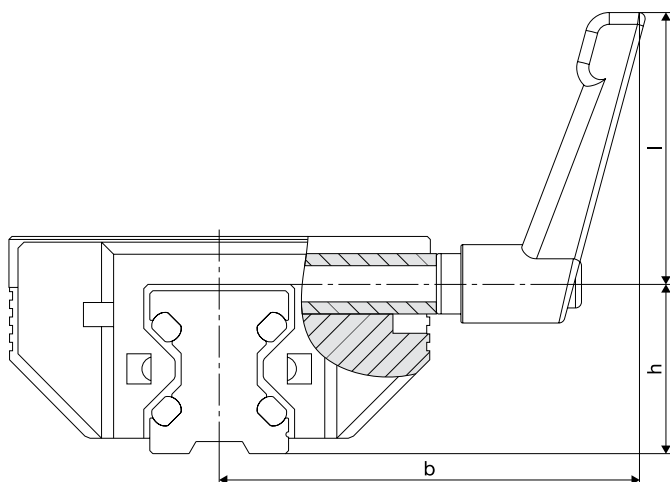
guide system. It is used for manual devices, clamping and holding stops, instead of tools and machining parts. Let us advise you.

with star grip



Size	Dimensions				Order no.	
	Ø a	b	h	N	Standard	Non-corrosive
15	25	41	19.0	200	<a href="#">84396AK</a>	<a href="#">84396NK</a>
20	25	49	23.0	250	<a href="#">84441AK</a>	<a href="#">84441NK</a>
25	32	56	28.0	250	<a href="#">84363AK</a>	<a href="#">84363NK</a>
35	50	83	38.5	350	<a href="#">84364AK</a>	<a href="#">84364NK</a>
45	63	101	48.0	750	<a href="#">84365AK</a>	<a href="#">84365NK</a>

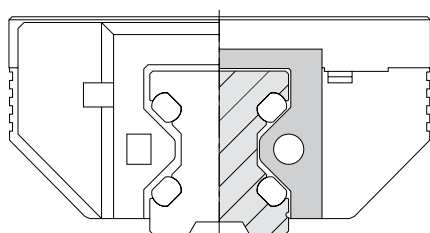
with clamping lever



Size	Dimensions					Order no.	
	l	Wt.	b	h	N	Standard	Non-corrosive
15	45	M 5	59.5	64.0	200	<a href="#">84396AH</a>	<a href="#">84396NH</a>
20	45	M 5	67.5	68.0	250	<a href="#">84441AH</a>	<a href="#">84441NH</a>
25	45	M 6	71.0	73.0	250	<a href="#">84363AH</a>	<a href="#">84363NH</a>
35	63	M 8	96.0	101.5	350	<a href="#">84364AH</a>	<a href="#">84364NH</a>
45	78	M10	116.0	126.0	750	<a href="#">84365AH</a>	<a href="#">84365NH</a>

## Metal Wipers

The metal wipers are inserted in the wiper plate in addition to the felt wipers and clipped. They assist removal of coarse dirt, such as metal chips, welding chips or sawdust.

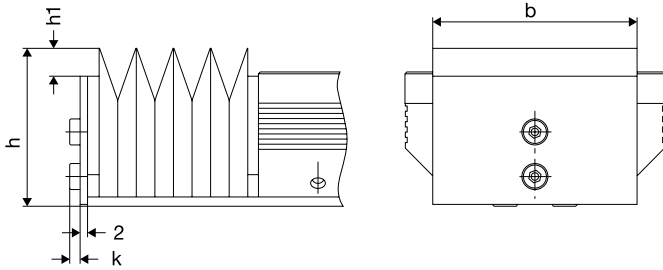


Size	Order no.
12	<a href="#">69126A</a>
15	<a href="#">69127A</a>
20	<a href="#">69128A</a>
25	<a href="#">69129A</a>
35	<a href="#">69130A</a>
45	<a href="#">69131A</a>

## Bellows

The bellows for Aluminium Roller Guides protect the guide system from coarse dirt. They are available in any length. Fixing to the cassette and end plate is effected using glued Velcro®. The

cassette wipers are not needed. Material: synthetic cloth with one-sided polyurethane coating, temperature: contact heat +80 °C, radiant heat +120 °C.

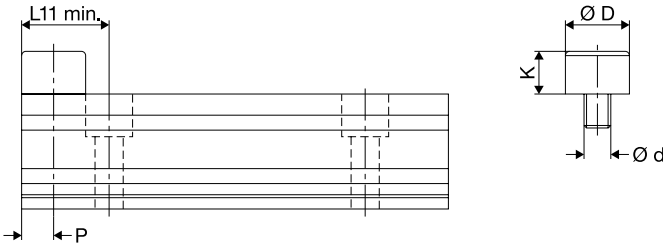


Size	Dimensions mm				Order no.
	b	h	h1	k	
15	42	31.0	7.0	2.8	on request
20	47	35.0	5.0	2.8	
25	55	42.5	6.5	2.8	
35	68	55.0	7.0	3.5	
45	87	67.0	7.0	3.5	

## Stop Screws

The stop screws are screwed to the guide rails in thread (option). A fitted rubber cap cushions impact. The bore shape is delivered

offset by a half bore jump for rail lengths with initial bore dimensions less than L11 min. Material: Chloroprene rubber (Cr), colour black.

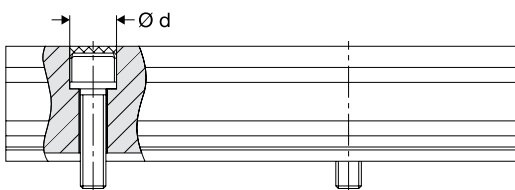


Size	Dimensions mm					Order no.
	d	D	K	L11 min.	P	
12	M 5	12	8	15.0	6.0	63504A
15	M 5	12	8	16.0	6.0	63504A
20	M 5	12	8	17.0	6.0	63504A
25	M 6	15	10	20.5	7.5	63505A
35	M 8	19	13	26.5	9.5	63506A
45	M10	24	16	33.0	12.0	63507A

## Caps

The borings of the guide rails should be closed with plastic caps for best function of the wipers. These caps are included in every

delivery. They can also be ordered separately as replacements. Material: POM wear-resistant plastic, oil and ageing-resistant.

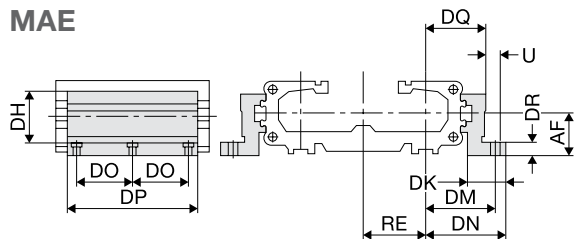


Size	Dimensions mm		Order no.
	Cylinder screw DIN912	D	
12	M 3	6	87752A
15	M 4	8	87753A
20	M 5	10	87754A
25	M 6	11	87755A
35	M 8	15	87756A
45	M10	18	87757A

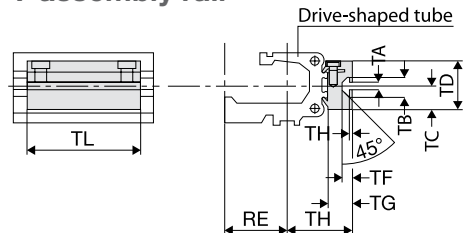
## Linear Modules Type FTC/FTD

### Profile Fixings

#### MAE



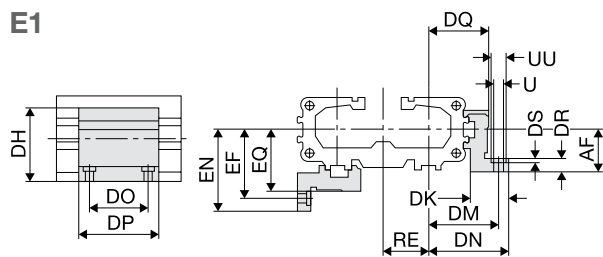
#### T-assembly rail



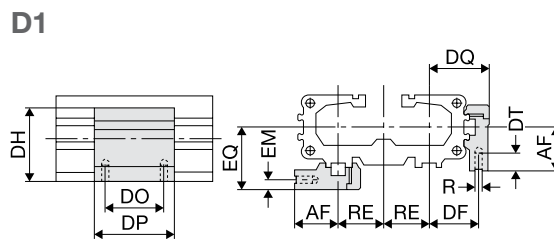
Size	Dimensions																		Order no.
	R	U	AF	DF	DH	DK	DM	DN	DO	DP	DQ	DR	DT	EF	EM	EN	EQ	RE	
MAE																			
15	M5	5.5	22	27	38	26	40	47.5	40	92	34.5	8	10	41.5	28.5	49	36	26	92981A
20	M5	5.5	30	33	46	27	46	54.5	40	92	40.5	10	10	48.5	35.5	57	43	32	92982A
25/35	M6	7.0	48	40	71	34	59	67.0	45	112	52.0	10	11	64.0	45.0	72	57	44	92983A

Size	Dimensions										Order no.	
	RE	TA	TB	TC	TD	TE	TF	TG	TH	TL		
T												
15	26	5.0	11.5	16	32	1.8	6.4	14.5	34.5	50	92835A	
20	32	5.0	11.5	16	32	1.8	6.4	14.5	40.5	50	92836A	
25/35	44	8.2	20.0	20	43	4.5	12.3	20.0	58.0	80	92837A	

#### E1



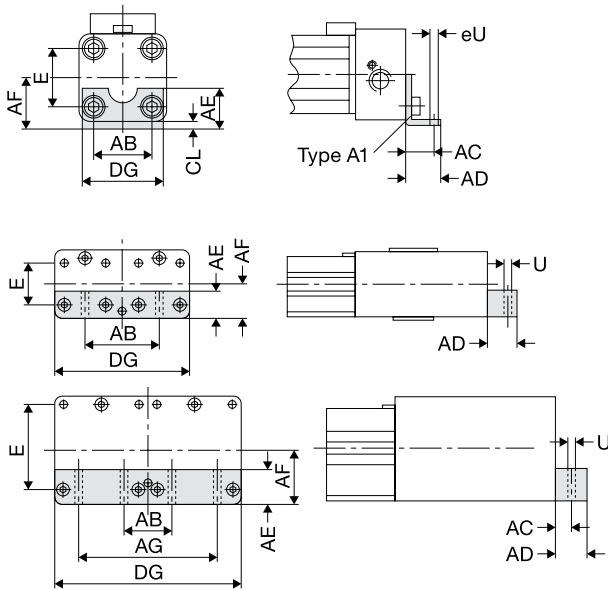
#### D1



Size	Dimensions																			Order no.	
	R	U	UU	AF	DF	DH	DK	DM	DN	DO	DP	DQ	DR	DS	DT	EF	EM	EN	EQ		RE
E1																					
15	M5	5.5	10	22	27	38	26	40	47.5	36	50	34.5	8	5.7	10	41.5	28.5	49	36	26	92821A
20	M5	5.5	10	30	33	46	27	46	54.5	36	50	40.5	10	5.7	10	48.5	35.5	57	43	32	92826A
25/35	M6	7.0	-	48	40	71	34	59	67.0	45	60	52.0	10	-	11	64.0	45.0	72	57	44	92831A

Size	Dimensions																			Order no.	
	R	U	UU	AF	DF	DH	DK	DM	DN	DO	DP	DQ	DR	DS	DT	EF	EM	EN	EQ		RE
D1																					
15	M5	5.5	10	22	27	38	26	40	47.5	36	50	34.5	8	5.7	10	41.5	28.5	49	36	26	92820A
20	M5	5.5	10	30	33	46	27	46	54.5	36	50	40.5	10	5.7	10	48.5	35.5	57	43	32	92825A
25/35	M6	7.0	-	48	40	71	34	59	67.0	45	60	52.0	10	-	11	64.0	45.0	72	57	44	92830A

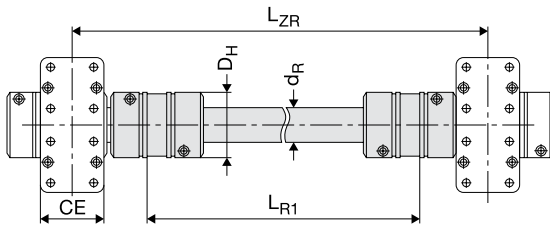
## Cover Fixings



Size	Dimensions								Order no.
	mm								
A1	E	Ø U	AB	AC	AD	AE	AF	DG	
15	27	5.8	27	16	22	18	22	39	92810A
20	36	6.6	36	18	26	20	30	50	92813A

Size	Dimensions									Order no.
	mm									
C1	E	Ø U	AB	AC	AD	AE	AF	AG	DG	
15	27	6.6	52	16.0	25	25	22	-	91	92978A
20	36	9.0	64	18.0	25	25	30	-	114	92979A
25/35	70	9.0	48	12.5	30	30	48	128	174	92980A

## Intermediate Drive Shaft



Size	Max. torque Nm	Dimensions						Order no.
		DH	Kb <sub>max</sub>	LD	mm		d <sub>R</sub>	
15	60	55	16 <sub>h7</sub>	5	<3000	L <sub>R1</sub> +112	30x4.0	92997A
20	60	55	22 <sub>h7</sub>	5	<3000	L <sub>R1</sub> +126	30x4.0	92998A
35	160	65	32 <sub>h7</sub>	5	<3000	L <sub>R1</sub> +167	35x4.0	92999A

## End Switch

RS	RS	ES	ES
Reed closer	Reed opener	PNP closer	NPN closer
Type:	Type:	Type:	Type:
RS-K	RS-K	ES-S	ES-S
92841A	92842A	92844A	92845A
RS-S	RS-S		
92847A	92843A		
Connection cable 5 m with coupling and open end			
Signal transmitter type ES-S/RS-S			
			92846A